

EXTRA FLAT CYLINDERS, SPRING RETURN

FEATURES

The **CMC** range of cylinders have grooves machined into the rod end to improve load grip, models over 20 tonne also have two threaded holes in the rod end to facilitate the fitting of a tilt saddle.

All models have two through holes to allow for the cylinder to be bolted down onto a work surface; flat sides also allow them to be used horizontally. Models over 5 tonne are fitted with a wiper seal and from 75 tonne onwards they are fitted with a removeable carry handle.

The **CMC5N6** model is supplied with a **K71F** coupler (1/4" NPT connection).

OPERATIONAL AREAS

These extra compact lightweight cylinders are the ideal solution to operate in the narrowest working areas.

They are used to precision level machinery, transformers, bridge sections etc. and in the ship building industry can be used to raise engines into position and remove propellers.

p. 23

ACCESSORIES



■ **ZTT tilt saddle**, reduces the effects of any possible off-centred load.



STANDARD

■ Tilt saddle mounting **holes**.



For lifting machinery from very low positions the **UJ** claw lifters can also be used, the claw has three different levels.



p. 104

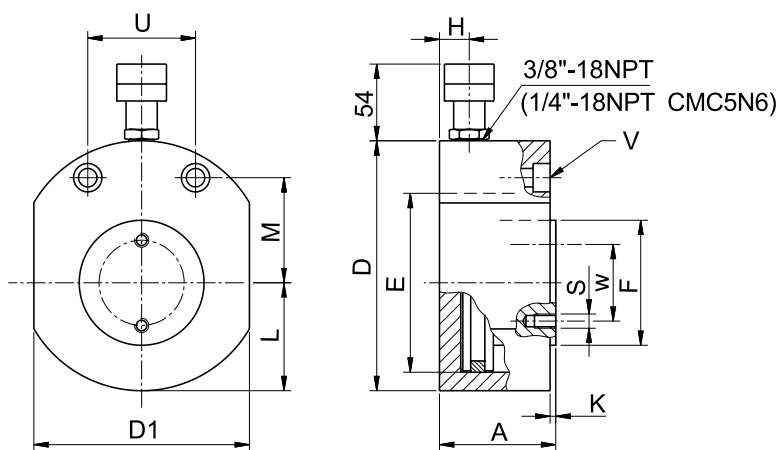


Due to the small oil capacity of these cylinders the small **PS** hand pumps are recommended to operate these cylinders.



p. 53

EXTRA FLAT CYLINDERS, SPRING RETURN



- Force 5 - 150 t
- Stroke 6 - 15 mm
- Max working pressure 700 bar

SELECTION CHART

Pushing force	Stroke	Oil volume	MODEL	Closed height	External Dia.	External dimension	Piston Dia.	Rod Dia.	Coupler height	Rod projection	Distance from rod axis to the external Dia.	Distance from the mounting holes to the rod axis	Distance between the mounting holes centres	Through holes for ISO-4762 screws	PCD mounting holes for the tilt saddle	Mounting holes for tilt saddle	Weight
				A	D	D1	E	F	H	K	L	M	U	V	W	S	kg
t* kN	mm	cm ³		mm	mm	mm	mm	mm	mm	mm	mm	mm	mm	mm	mm	mm	
5 49,5	6	4	CMC5N6 **	33	59	41	30	24	16	1	20,5	22,5	28,5	M5	-	-	0,6
	15	11	CMC5N15	42					19								0,8
10 111	10	16	CMC10N10	43	78	58	45	35	19	1	29	34	37	M6	-	-	1,6
20 198	10	28	CMC20N10	52	100	76	60	45	19	1	39	40	50	M10	-	-	2,8
30 309	10	44	CMC30N10	59	115	95	75	55	19	1	48	44	52	M10	44	2xM5	4,2
50 496	15	106	CMC50N15	68	143	120	95	80	19	1	60	54	67	M12	65	2xM6	6,9
75 727	15	156	CMC75N15	80	166	142	115	100	19	2	71	67	76	M12	65	2xM6	12,0
100 929	15	199	CMC100N15	86	178	160	130	100	20	2	80	75	76	M12	65	2xM6	14,5
150 1407	15	302	CMC150N15	100	217	194	160	120	23	2	97	83	117	M12	80	2xM6	24,5

* Nominal value, see kN for the exact force ** CMC5N6 with K71F (1/4" NPT) quick coupler

ACCESSORIES: ZTT TILT SADDLES

MODEL	For use with	a	b	j	z	w	kg
ZTT30	CMC30N10	19	1	53	5,5	44	0,3
ZTT50	CMC50N15	25	1	68	6,5	65	0,9
ZTT100	CMC75N15 CMC100N15	34	2	88			1,7
ZTT150	CMC150N15	45	3	118	80	3,4	