

ALUMINIUM CYLINDERS, SPRING RETURN

FEATURES

Five models manufactured in a high resistance aluminium alloy complete with a protective treatment, to increase resistance to corrosion. Wiper seals are fitted to prevent the penetration of dirt.

All models are supplied with interchangeable grooved pushing saddle and have two lateral threaded holes to enable the mounting of a tilt saddle to reduce the effects of any side loading.

They are also fitted with a removable carry handle.

OPERATIONAL AREAS

Because of their extremely low weight and dimensions these cylinders are particularly suitable for use in applications where lightness and ease of handling are paramount.

p. 29

ACCESSORIES



■ **Separate ZTT tilt saddle**, reduces the effects of possible off-centred loads.

p. 126

Follow our safety instructions.
See useful pages.



STANDARD

■ **Pushing saddle**, prevents any risk of rod deformation.

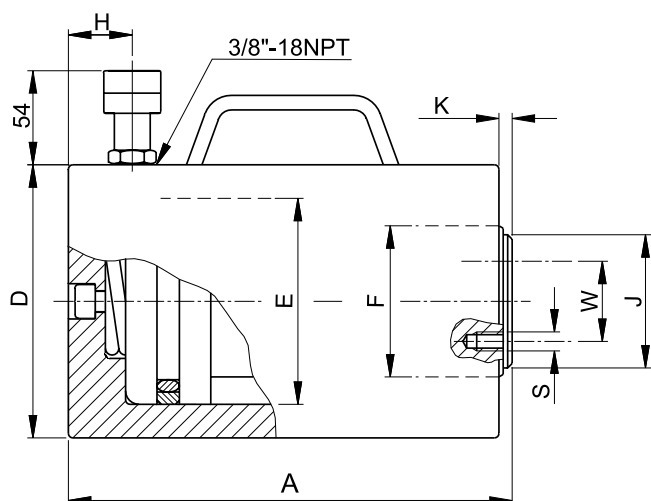


CML cylinders and lightweight PL pumps make an extremely light and easy to use pump and cylinder set.



p. 49

ALUMINIUM CYLINDERS, SPRING RETURN



- Force **50 - 100 t**
- Stroke **50 - 150 mm**
- Max working pressure **700 bar**

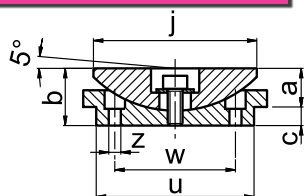
Cylinders with non standard **force** and **stroke** can be supplied upon request.

SELECTION CHART

Pushing force	Stroke	Oil volume	MODEL	Closed height	External Dia.	Piston Dia.	Rod Dia.	Coupler height	Saddle Dia.	Rod projection	PCD mounting holes for the tilt saddle	Mounting holes for tilt saddle	Weight
				A	D	E	F	H	J	K	W	S	kg
t* kN	mm	cm ³		mm	mm	mm	mm	mm	mm	mm	mm	mm	kg
50 496	50	354	CML50N50	158	130	95	80	25	65	4	45	2xM5	7,0
	100	709	CML50N100	208									8,6
	150	1063	CML50N150	258									10,3
100 929	100	1327	CML100N100	246	178	130	100	25	85	4	65	2xM6	18,8
	150	1991	CML100N150	296									21,4

* Nominal value, see kN for the exact force

ACCESSORIES: ZTT TILT SADDLES



MODEL	For use with	a	b	c	j	u	z	w	kg
ZTT51	CML50N ###	18	26	8	68	65	5,5	45	0,8
ZTT101	CML100N ###	22	32	10	88	85	6,5	65	1,6