

## MULTI-PURPOSE CYLINDERS, SPRING RETURN

### FEATURES

All cylinders have collar threads on the cylinder body and mounting holes in the base.

They are supplied with an interchangeable grooved pushing saddle and models above 30 tonne are supplied with a carry handle.

A wiper seal is fitted to models above 5 tonne to prevent the penetration of dirt and to extend cylinder life.

### OPERATIONAL AREAS

These cylinders can be operated in any position and are extremely versatile and suitable for different applications, including industrial body shops, steel structural works, presses and special applications.

The nitride treatment gives these cylinders an excellent resistance to corrosion and makes them particularly suitable to operate in the open air or in aggressive environments.



**ACCESSORIES**

**ZTT tilt saddle**, reduces the effects of any possible off-centred load.



**STANDARD**

**Base mounting holes**.

**Pushing saddle**, prevents any risk of rod deformation.



p. 62

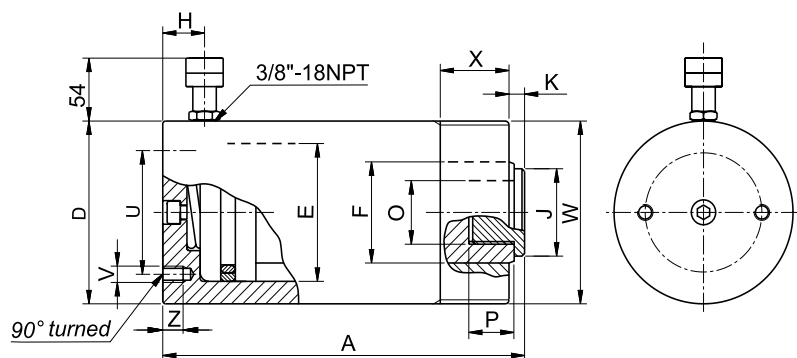


To operate these cylinders the **MD** power units are particularly suitable.

### ACCESSORIES: ZTT TILT SADDLES

	MODEL	For use with	a	b	c	j	u	z	w	kg
	<b>ZTT10</b>	CMI10N25	16	1	-	34	-	5,5	24	0,1
	<b>ZTT11</b>	CMI10N ###	9	21	12	34	M24x2	-	-	0,1
	<b>ZTT31</b>	CMI25N ### CMI30N210	16	30	14	53	M32x2	-	-	0,3
	<b>ZTT51</b>	CMI50N ###	18	26	8	68	65	5,5	45	0,8
	<b>ZTT101</b>	CMI100N ###	22	32	10	88	85	6,5	65	1,6

# MULTI-PURPOSE CYLINDERS, SPRING RETURN



- Force **5 - 100 t**
- Stroke **25 - 350 t**
- Max working pressure **700 bar**

## SELECTION CHART

Pushing force t* kN	Stroke mm	Oil volume cm <sup>3</sup>	MODEL	Closed height	External Dia.	Piston Dia.	Rod Dia.	Coupler height	Hollow saddle Dia.	Rod projection	Rod internal thread	Rod thread depth	PCD mounting holes	Base mounting holes_Holes depth	Collar thread_Thread length	Weight
				A mm	D mm	E mm	F mm	H mm	J mm	K mm	O mm	P mm	U mm	V/Z mm	W/X mm	kg
5 49,5	25	18	<b>CMI5N25</b>	92												1,1
	50	35	<b>CMI5N50</b>	117												1,3
	75	53	<b>CMI5N75</b>	142	40	30	25	19	24,5	2	M16x1,5	14	25	M6 10	M40x1,5 28	1,5
	125	88	<b>CMI5N125</b>	202												1,9
	175	124	<b>CMI5N175</b>	252												2,3
	225	159	<b>CMI5N225</b>	302												2,7
10 111	25	40	<b>CMI10N25</b>	83					33 <sup>⊗</sup>	1 <sup>⊗</sup>	-	-				2,0
	50	80	<b>CMI10N50</b>	120												2,6
	100	159	<b>CMI10N100</b>	170												3,5
	150	238	<b>CMI10N150</b>	245	60	45	35	19	34	5	M24x2	15	39	M8 12	M60x1,5 28	4,7
	200	318	<b>CMI10N200</b>	295												5,6
	250	398	<b>CMI10N250</b>	345												6,5
	300	477	<b>CMI10N300</b>	408	65			33							M65x2 28	9,03
	350	557	<b>CMI10N350</b>	458												10
25 232	25	83	<b>CMI25N25</b>	119												4,6
	50	166	<b>CMI25N50</b>	144												5,3
	100	332	<b>CMI25N100</b>	214												7,5
	150	498	<b>CMI25N150</b>	264	85	65	55	19	53	9	M32x2	16	58	M10 14	M85x2 40	8,8
	200	664	<b>CMI25N200</b>	314												10,2
	250	830	<b>CMI25N250</b>	364												11,6
	300	996	<b>CMI25N300</b>	414												13,0
	350	1161	<b>CMI25N350</b>	464												15,0
30 309	210	928	<b>CMI30N210</b>	386	102	75	55	47	53	9	M32x2	16	-	-	3 5/16"-12 49	18,4
50 496	50	354	<b>CMI50N50</b>	164												14,2
	100	709	<b>CMI50N100</b>	214	127	95	80	25	65	4	M16	12	95	M12 18	M125x2 40	17,4
	150	1063	<b>CMI50N150</b>	264												20,8
	325	2304	<b>CMI50N325</b>	439												32,6
100 929	100	1327	<b>CMI100N100</b>	246												39,6
	150	1991	<b>CMI100N150</b>	296	175	130	100	26	85	4	M16	17	140	M12 18	M168x2 51	46,0

\* Nominal value, see kN for the exact force    ⊗ Mounting holes for ZTT10 tilt saddle