

CYLINDERS WITH HOLLOW PISTON, OIL RETURN

FEATURES

All **COF** cylinders are supplied with a smooth hollow saddle and have a centre hole, thread on the body, in the rod and in the base to mount them easily and enable them to be used with accessories.

A safety valve connected to the retract chamber prevents any overpressure.

The end of stroke nut has a wiper to prevent the ingress of dirt.

The anti-corrosive nitride treatment makes these cylinders suitable for use in harsh environments and in the open air

p. 37

ACCESSORIES



■ **ZTE threaded saddle**, enables the mounting of threaded bars.



STANDARD

■ **Smooth hollow saddle**, avoids any risk of rod deformation.



OPERATIONAL AREAS

The through hole makes them particularly suitable for tensioning, mounting and extracting of pulleys, bushings and heat exchanger pipes.

They can be used in push and pull operations by putting a bar or a cable attached to the saddle.



Cylinders in **aluminium** or with non standard **strokes** or centre **holes** can be supplied on request.



p. 49

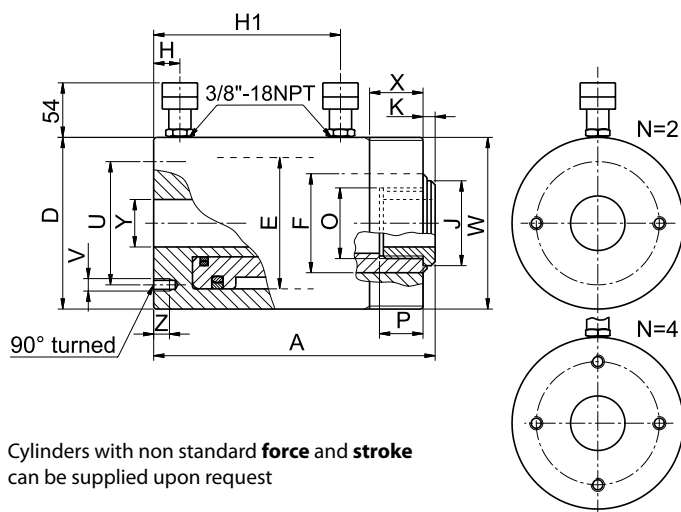


The **PL262**, **PL264** e **PL268** hand pumps which have a 4 way valve can be used to operate oil return cylinders.

Follow our safety instructions.
See useful pages.

p. 126

CYLINDERS WITH HOLLOW PISTON, OIL RETURN



- Force **30 - 200 t**
- Stroke **75 - 250 mm**
- Max working pressure **700 bar**

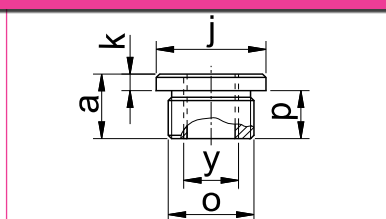
Cylinders with non standard **force** and **stroke** can be supplied upon request

SELECTION CHART

Pushing force	Pulling force	Stroke	Pushing oil volume	Pulling oil volume	MODEL	Closed height	External Dia.	Piston Dia.	Rod Dia.	Couplers height		Hollow saddle Dia.	Rod projection	Rod internal thread	Rod thread depth	PCD mounting holes	Base mounting holes_ Holes depth	Collar thread	Collar thread lenght	Trough hole Dia.	Weight	
						A	D	E	F	H	H1	J	K	O	P	U	V/Z	W	X	Y	kg	
t* kN	t* kN	mm	cm ³	cm ³		mm	mm	mm	mm	mm	mm	mm	mm	mm	mm	mm	mm	mm	mm	mm	kg	
30 334	18 176	100	477	251	COF30N100	196					152										13	
		150	716	377	COF30N150	246	115	90	70	21	202	57,5	2	M48x1,5	32	65	2xM10 12	M115x2	20	34	16	
		250	1193	628	COF30N250	346					302											21
60 590	31 309	75	632	331	COF60N75	186					134										26	
		100	842	442	COF60N100	211					159	81,5	2	M72x1,5	40	90	4xM10 16	M165x4	25	54,5	28	
		150	1264	663	COF60N150	261	165	125	100	26	209											34
		250	2106	1104	COF60N250	361					309											46
100 947	58 568	75	1015	608	COF100N75	214					155										47	
		150	2029	1216	COF100N150	289	215	165	130	36	230	117,5	4	M102x1,5	55	130	4xM12 15	M215x4	35	80,5	61	
		250	3382	2027	COF100N250	389					330											79
150 1435	76 748	200	4100	2136	COF150N200	349	247	190	150	36	284	127,5	4	M112x2	60	-	-	-	-	80,5	100	
200 1979	94 924	200	5655	2639	COF200N200	380	305	230	190	37	305	167,5	5	M135x2	70	-	-	-	-	103	160	

* Nominal value, see kN for the exact force

ACCESSORIES: ZTE THREADED SADDLES



MODEL	For use with	a	k	j	p	y	o	kg
ZTE30	COF30N ###	39	7	57,5	32	1 1/4" - 7 UNC	M48x1,5	0,32
ZTE60	COF60N ###	47	7	81,5	40	1 5/8" - 5 1/2 UNS	M72x1,5	0,85